

1 FLOOR PLAN
A1.0 SCALE: 3/8" = 1'-0"

2 ROOF PLAN
A1.0 SCALE: 3/8" = 1'-0"

DATE:	REV:	DESCRIPTION:

FLOOR PLAN & ROOF PLAN GABLE ROOF OPTION

SHEET MANAGEMENT
SHEET FORMAT: ARCH C
SHEET SCALE: 1:3
CREATED BY:
RELEASE DATE: 5/9/2024

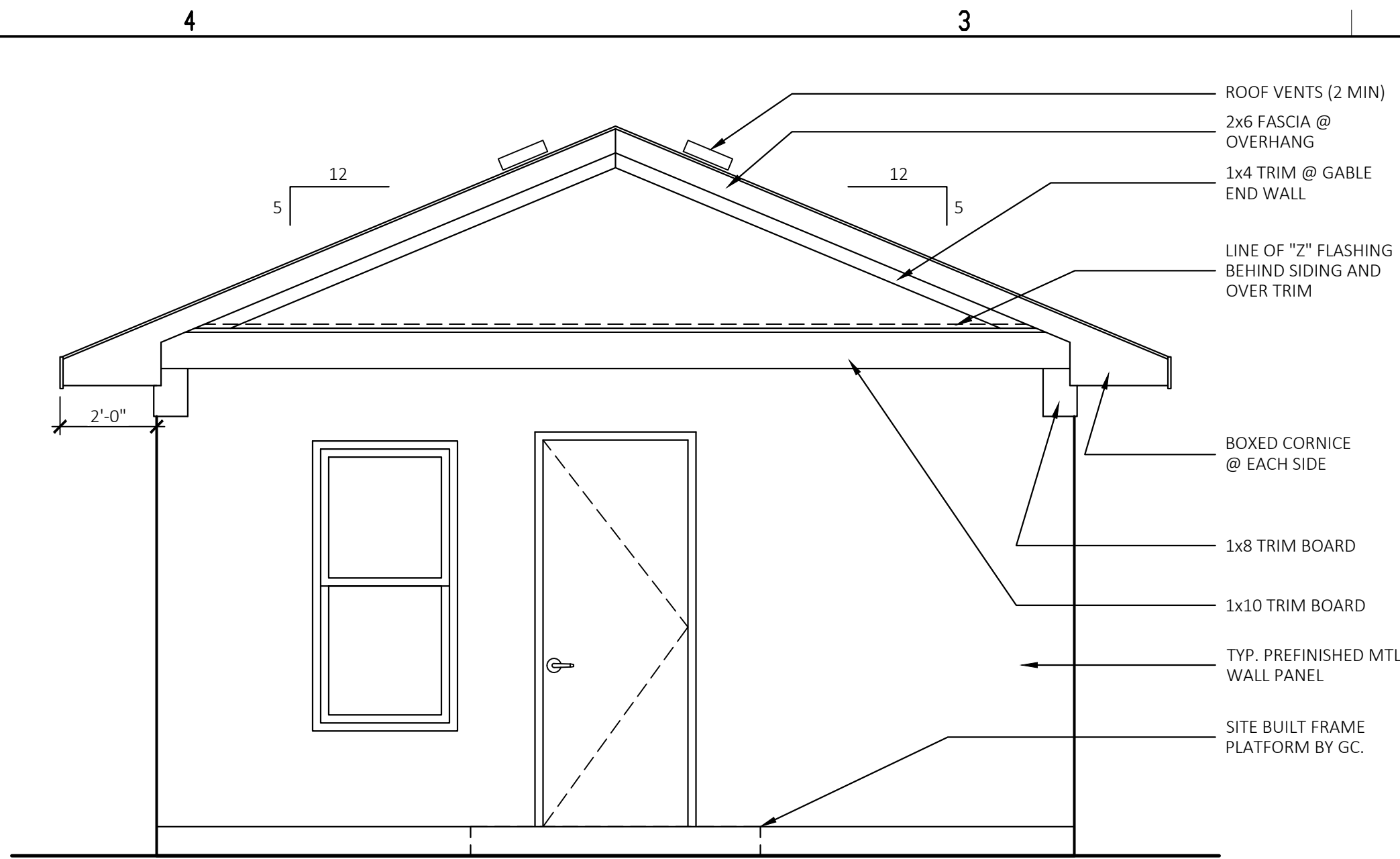
MODEL: BXB-000009
2 DOOR CASITA

SHEET: A1.0

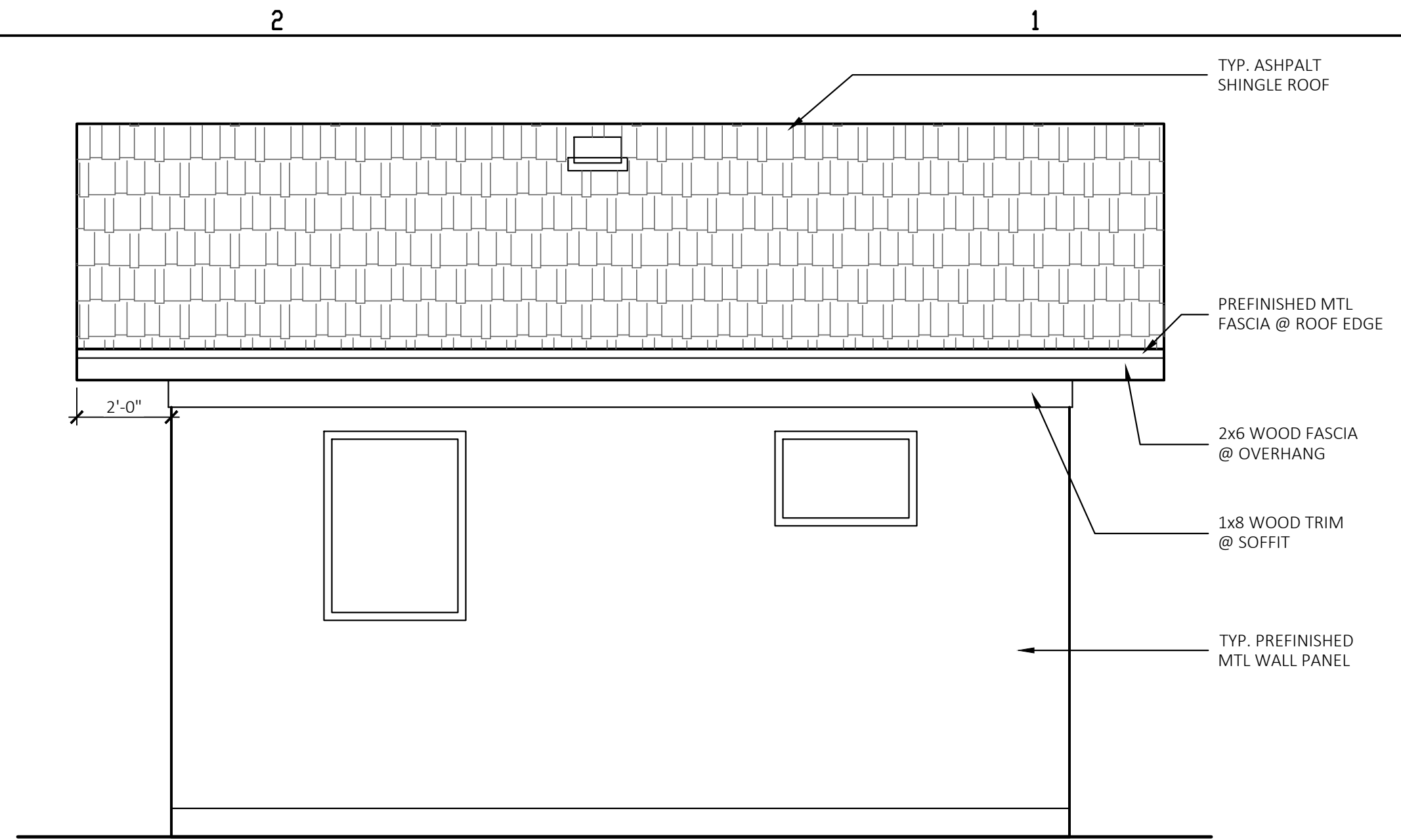
BOXABL INC.
5345 EAST NORTH BELT ROAD
NORTH LAS VEGAS, NV 89115, USA
+1(702) 500-9000 HELLO@BOXABL.COM

PROPRIETARY AND CONFIDENTIAL
THE INFORMATION CONTAINED IN THIS DRAWING IS THE
SOLE PROPERTY OF BOXABL INC. ANY REPRODUCTION IN
PART OR AS A WHOLE WITHOUT THE WRITTEN PERMISSION
OF BOXABL INC. IS PROHIBITED.

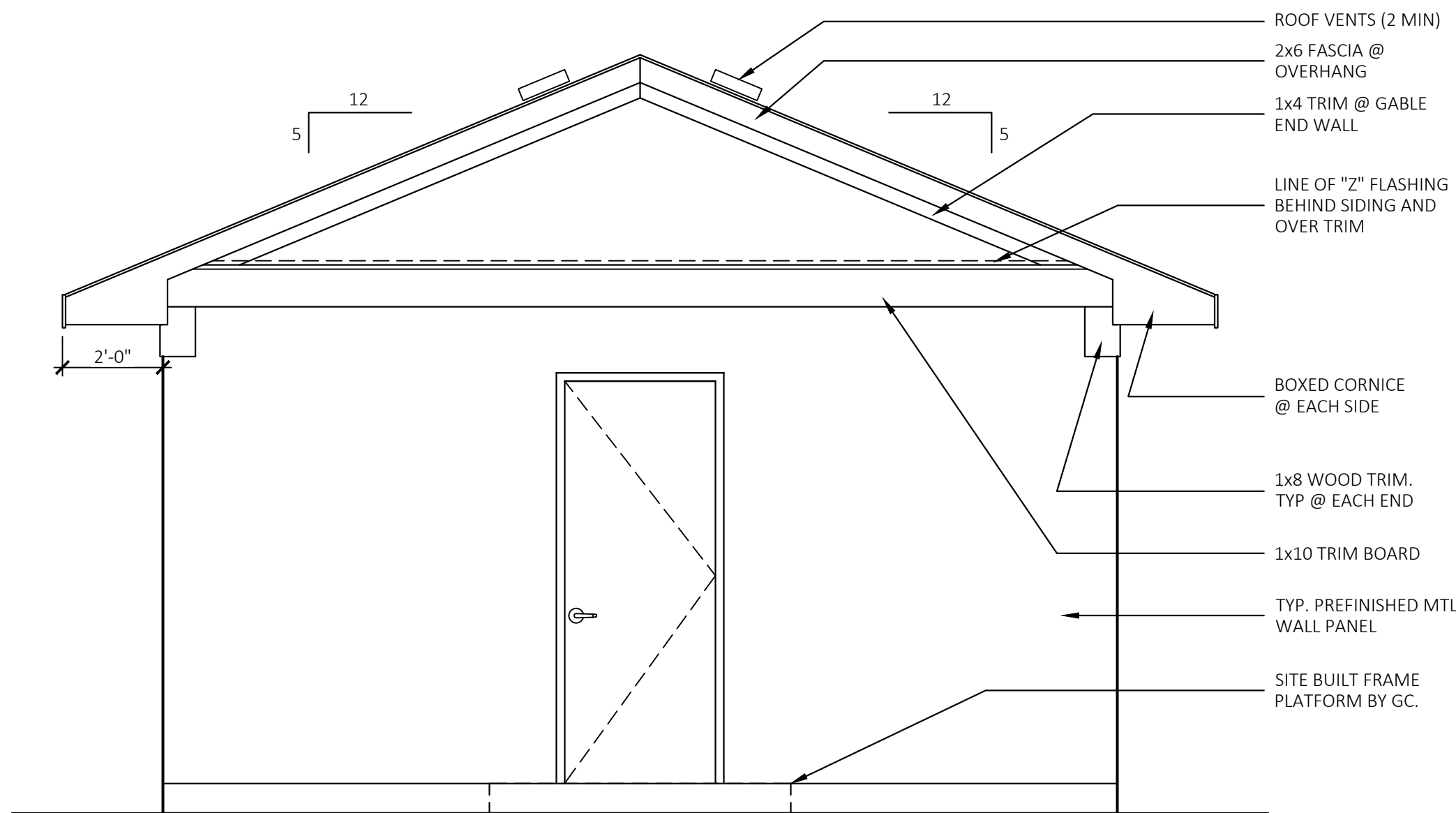




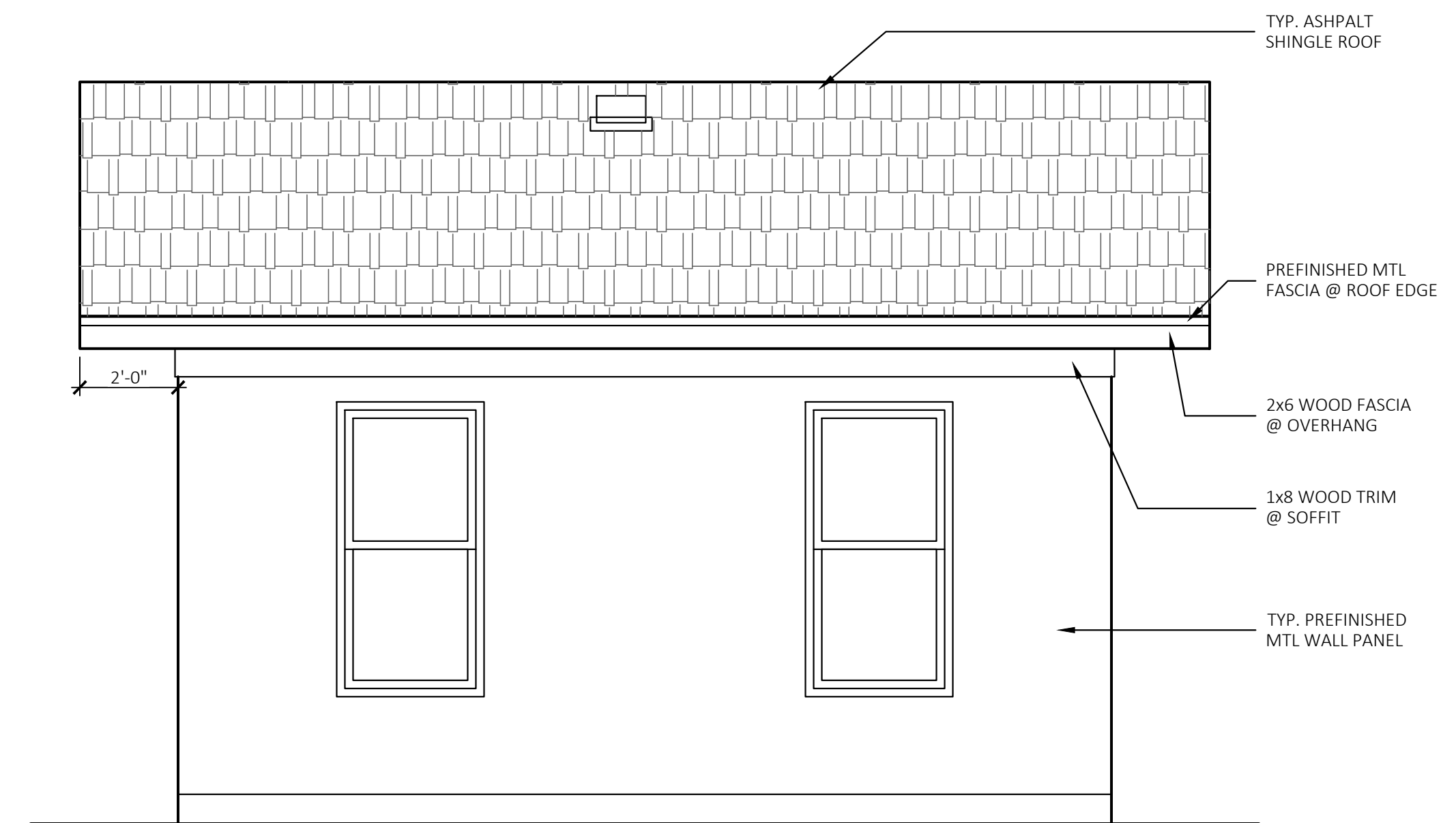
1 FRONT ELEVATION
A2.0 SCALE: 3/8" = 1'-0"



2 RIGHT ELEVATION
A2.0 SCALE: 3/8" = 1'-0"



3 BACK ELEVATION
A2.0 SCALE: 3/8" = 1'-0"



4 LEFT ELEVATION
A2.0 SCALE: 3/8" = 1'-0"

DATE:	REV:	DESCRIPTION:

EXTERIOR ELEVATIONS GABLE ROOF OPTION

SHEET MANAGEMENT
SHEET FORMAT: ARCH C
SHEET SCALE: 1:3
CREATED BY:
RELEASE DATE: 5/9/2024

MODEL: BXB-000009
2 DOOR CASITA

SHEET: A2.0

BOXABL INC.
5345 EAST NORTH BELT ROAD
NORTH LAS VEGAS, NV 89115, USA
+1(702) 500-9000 HELLO@BOXABL.COM
PROPRIETARY AND CONFIDENTIAL
THE INFORMATION CONTAINED IN THIS DRAWING IS THE
SOLE PROPERTY OF BOXABL INC. ANY REPRODUCTION IN
PART OR AS A WHOLE WITHOUT THE WRITTEN PERMISSION
OF BOXABL INC. IS PROHIBITED.

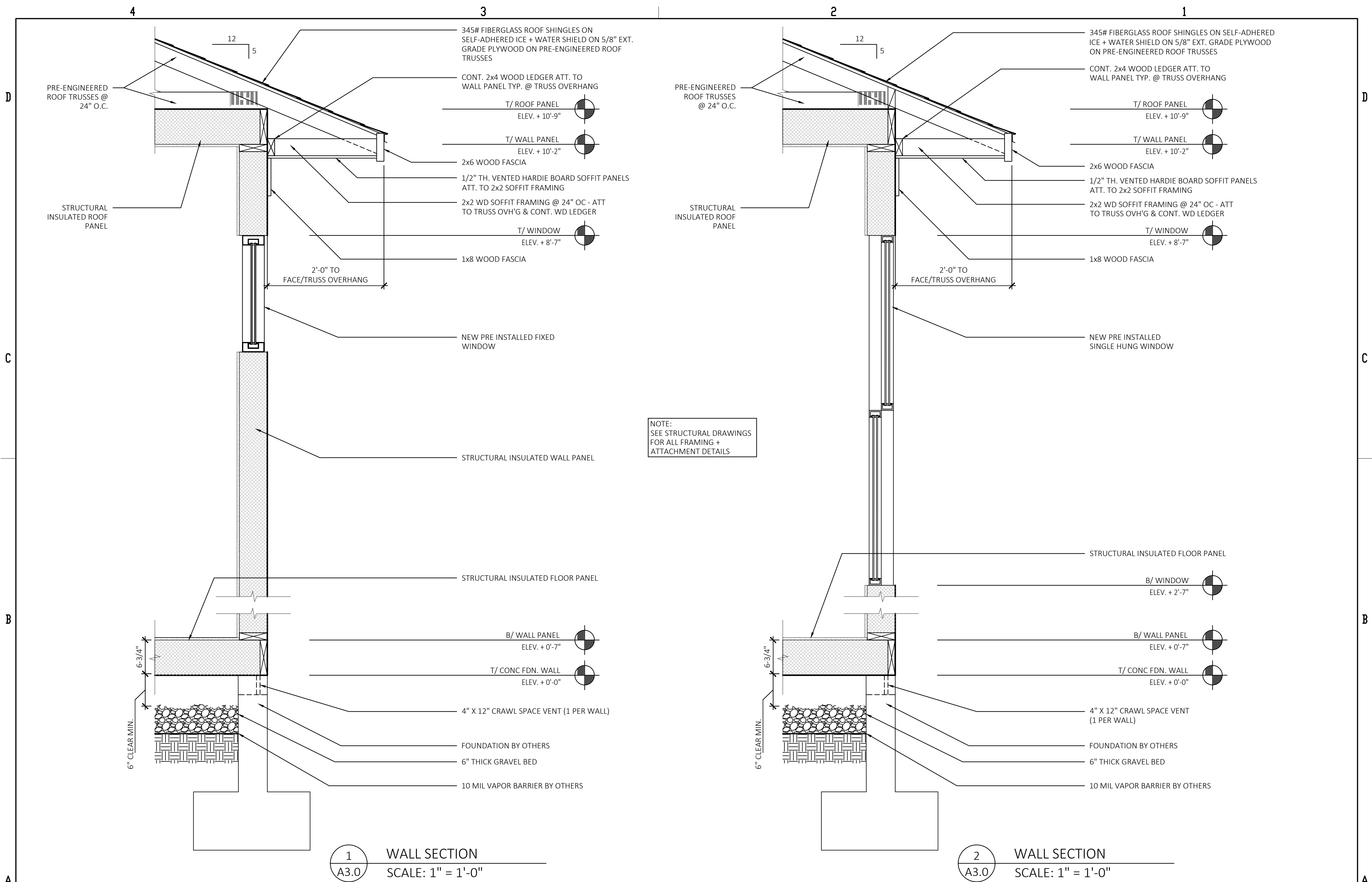


4

3

2

1



NOTE:
SEE STRUCTURAL DRAWINGS
FOR ALL FRAMING +
ATTACHMENT DETAILS

1 WALL SECTION
A3.0 SCALE: 1" = 1'-0"

2 WALL SECTION
A3.0 SCALE: 1" = 1'-0"

DATE:	REV:	DESCRIPTION:

WALL SECTIONS GABLE ROOF OPTION

SHEET MANAGEMENT	
SHEET FORMAT:	ARCH C
SHEET SCALE:	1:3
CREATED BY:	
RELEASE DATE:	5/9/2024

MODEL: BXB-00009
2 DOOR CASITA

SHEET: A3.0

BOXABL INC.
5345 EAST NORTH BELT ROAD
NORTH LAS VEGAS, NV 89115, USA
+1(702) 500-9000 HELLO@BOXABL.COM
PROPRIETARY AND CONFIDENTIAL
THE INFORMATION CONTAINED IN THIS DRAWING IS THE
SOLE PROPERTY OF BOXABL INC. ANY REPRODUCTION IN
PART OR AS A WHOLE WITHOUT THE WRITTEN PERMISSION
OF BOXABL INC. IS PROHIBITED.



4

3

2

1

D

D

C

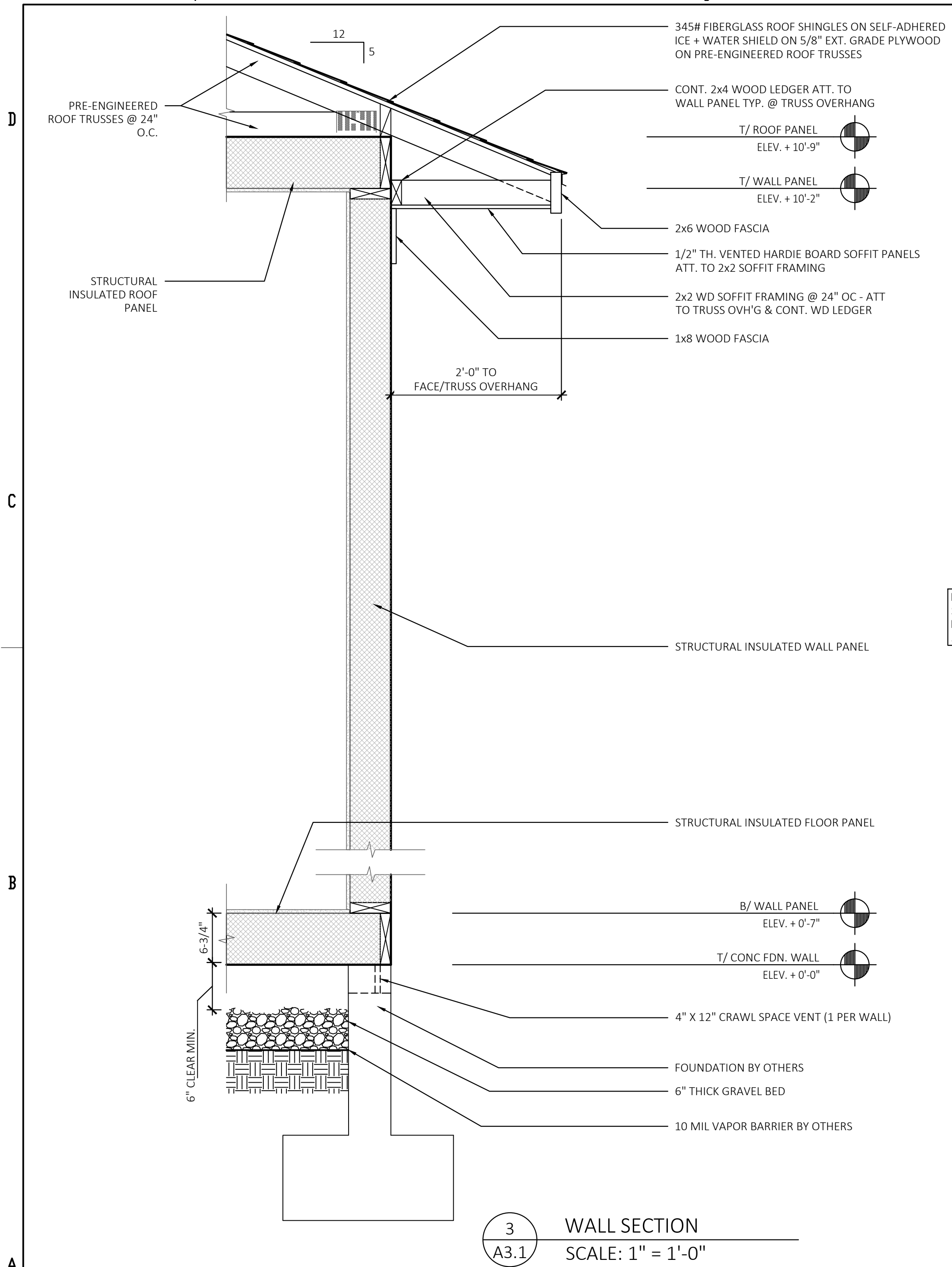
C

B

B

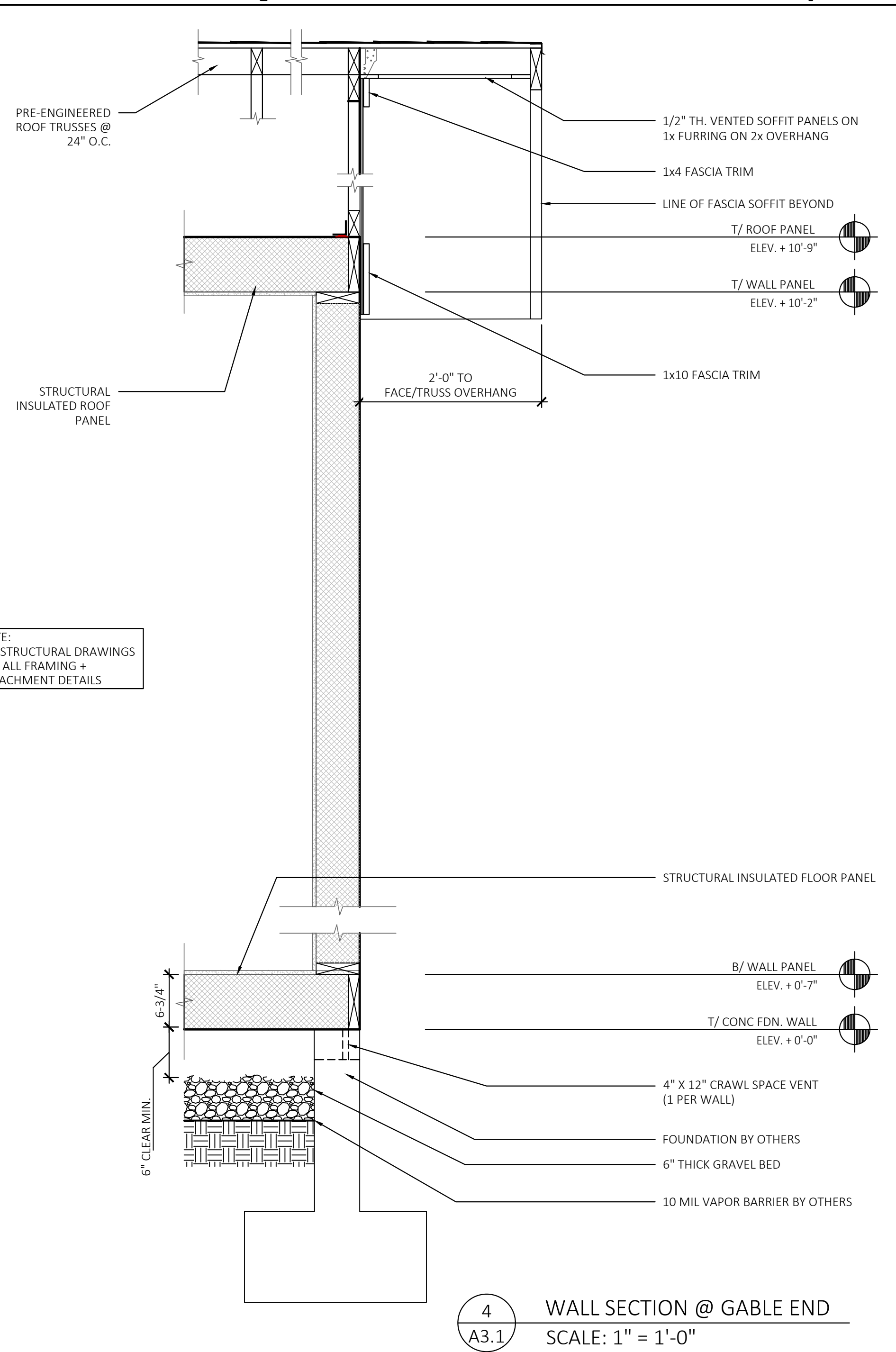
A

A



3 WALL SECTION
A3.1 SCALE: 1" = 1'-0"

NOTE:
SEE STRUCTURAL DRAWINGS
FOR ALL FRAMING +
ATTACHMENT DETAILS



4 WALL SECTION @ GABLE END
A3.1 SCALE: 1" = 1'-0"

DATE:	REV:	DESCRIPTION:

WALL SECTIONS GABLE ROOF OPTION

SHEET MANAGEMENT	
SHEET FORMAT:	ARCH C
SHEET SCALE:	1:3
CREATED BY:	
RELEASE DATE:	5/9/2024

MODEL: BXB-00009
2 DOOR CASITA

SHEET: A3.1

BOXABL INC.
5345 EAST NORTH BELT ROAD
NORTH LAS VEGAS, NV 89115, USA

+1(702) 500-9000 HELLO@BOXABL.COM

PROPRIETARY AND CONFIDENTIAL
THE INFORMATION CONTAINED IN THIS DRAWING IS THE
SOLE PROPERTY OF BOXABL INC. ANY REPRODUCTION IN
PART OR AS A WHOLE WITHOUT THE WRITTEN PERMISSION
OF BOXABL INC. IS PROHIBITED.

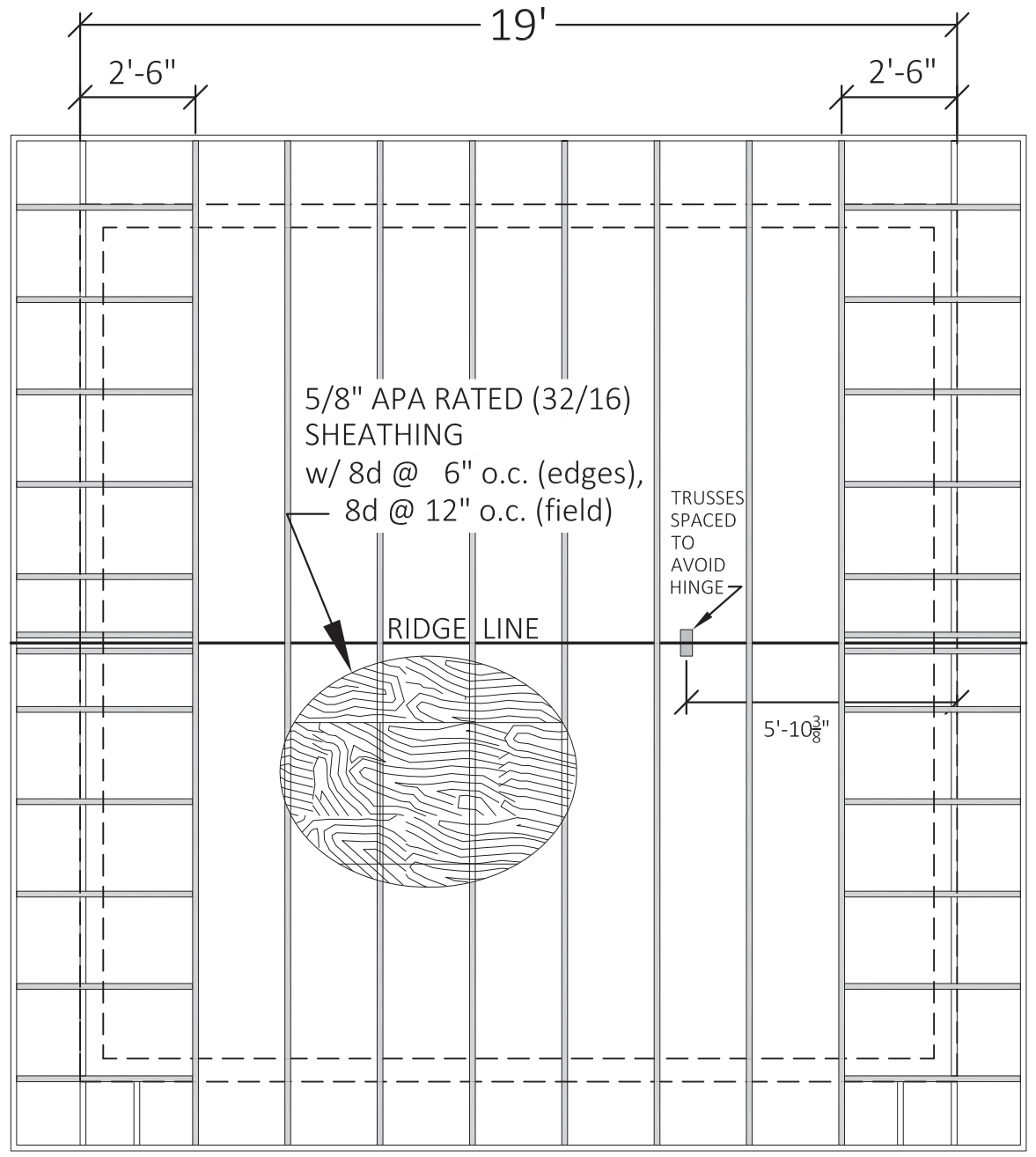


4

3

2

1



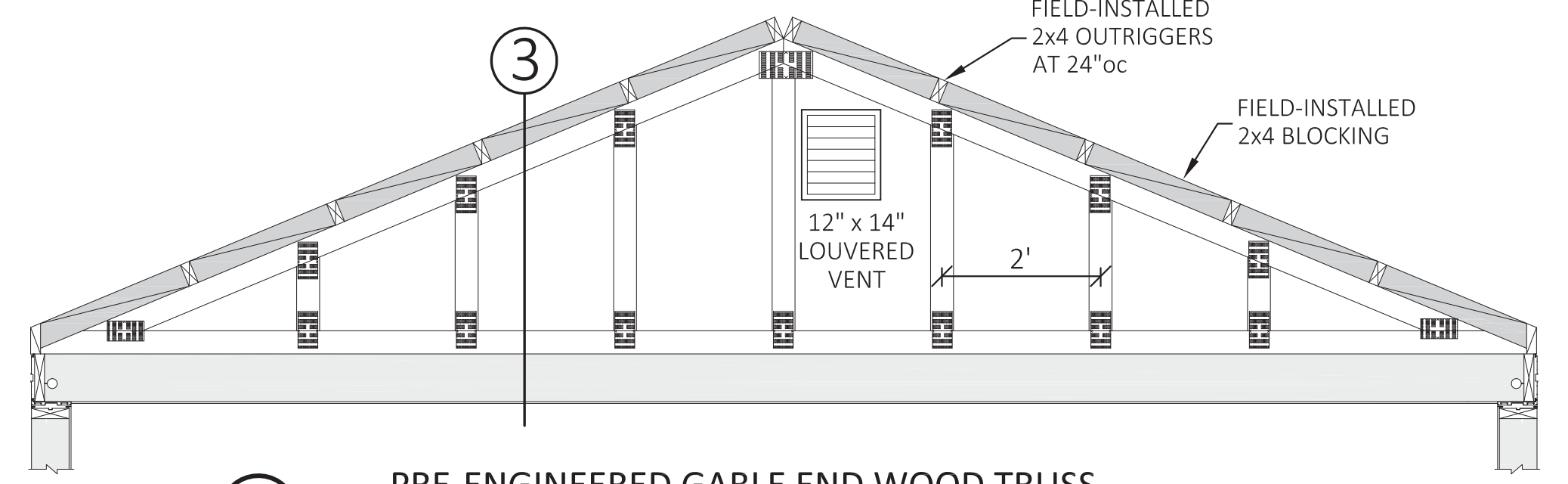
ORIENTATION #2

(REQUIRED IN SEISMIC CATEGORIES D and E)

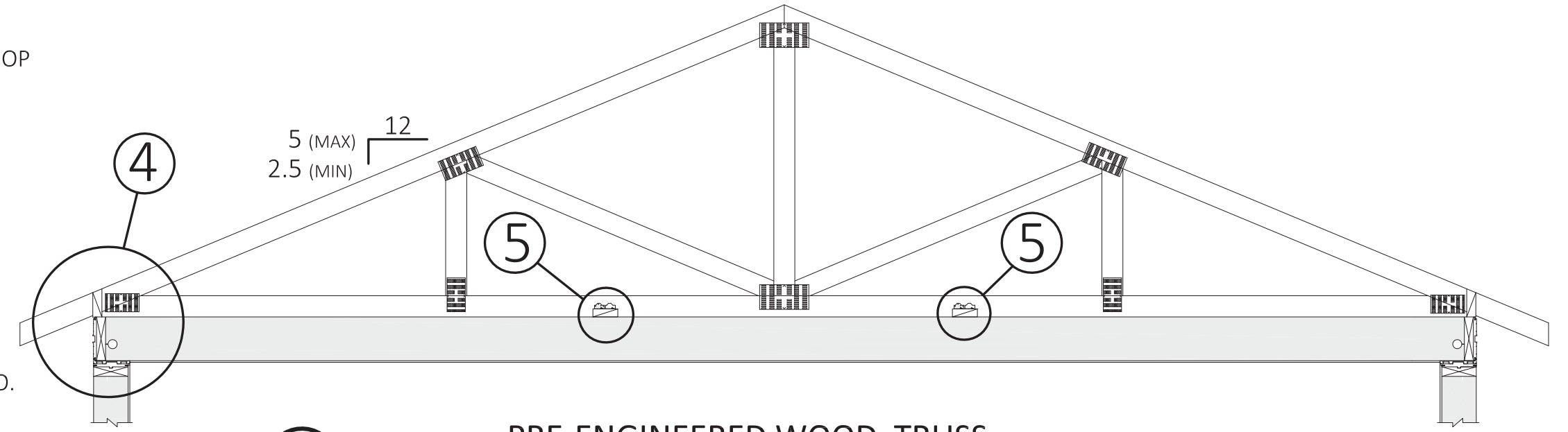
KITCHEN / BATHROOM SIDE

NOTES:

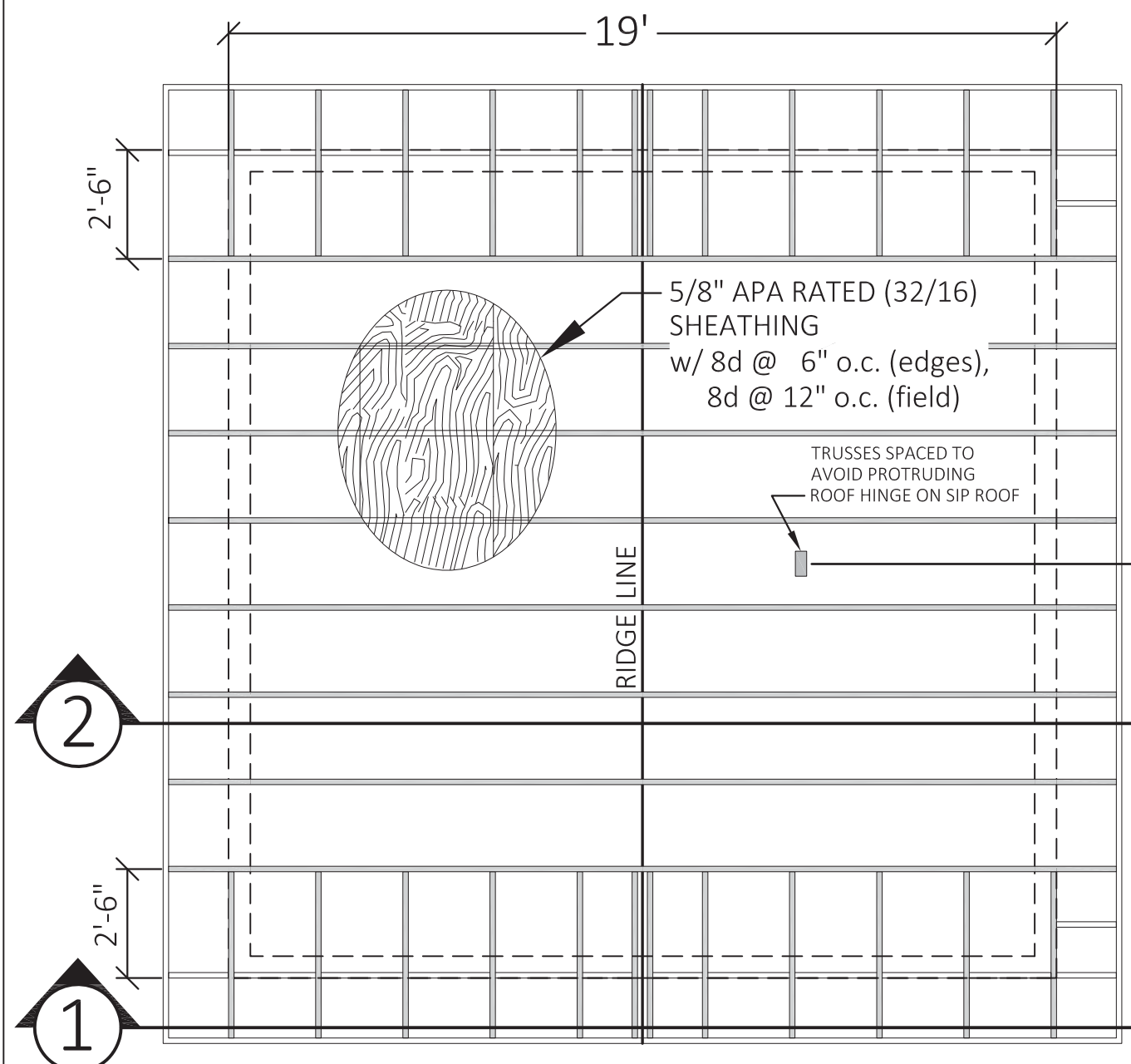
- 1) TRUSS MNFR TO DESIGN TRUSSES ASSUMING SUPPORT ONLY AT THE WALLS.
- 2) ASSUME BOTTOM CHORD OF EACH TRUSS WILL BE RESTRAINED AGAINST LATERAL MOVEMENT IN BOTH HORIZONTAL DIRECTIONS BY THE A34 CLIPS INDICATED ON THE TRUSS PROFILES. DESIGN EACH TRUSS TO TRANSMIT LATERAL WIND FROM THE TOP CHORD TO THE BOTTOM CHORD.
- 3) INSTALL SIMPSON STRONG-TIE HARDWARE PER SIMPSON SPECIFICATIONS, U.N.O.
- 4) TO ACCOMMODATE POSSIBLE DEVIATIONS IN ACTUAL TRUSS GEOMETRY & CONSTRUCTION SHOWN ON THESE DRAWING, THE CONNECTION INFO SHOWN TO BE DESIGNED BY A STRUCTURAL ENGINEER LICENSED IN THE STATE OF INSTALLATION AND COORDINATED WITH THE TRUSS MNFR'S SHOP DRAWINGS
- 5) FOR ROOF PITCHES STEEPER THAN 5: 12 CONTACT BOXABL FOR SPECIAL DESIGN.
- 6) STABILITY DURING ERECTION TO BE DESIGNED & SUPPLIED BY OTHERS.
- 7) CLAY OR CONCRETE TILE NOT ALLOWED IN SEISMIC CATEGORIES D OR E.
- 8) SEE GENERAL NOTES SHEET FOR MORE INFO.



1 PRE-ENGINEERED GABLE END WOOD TRUSS



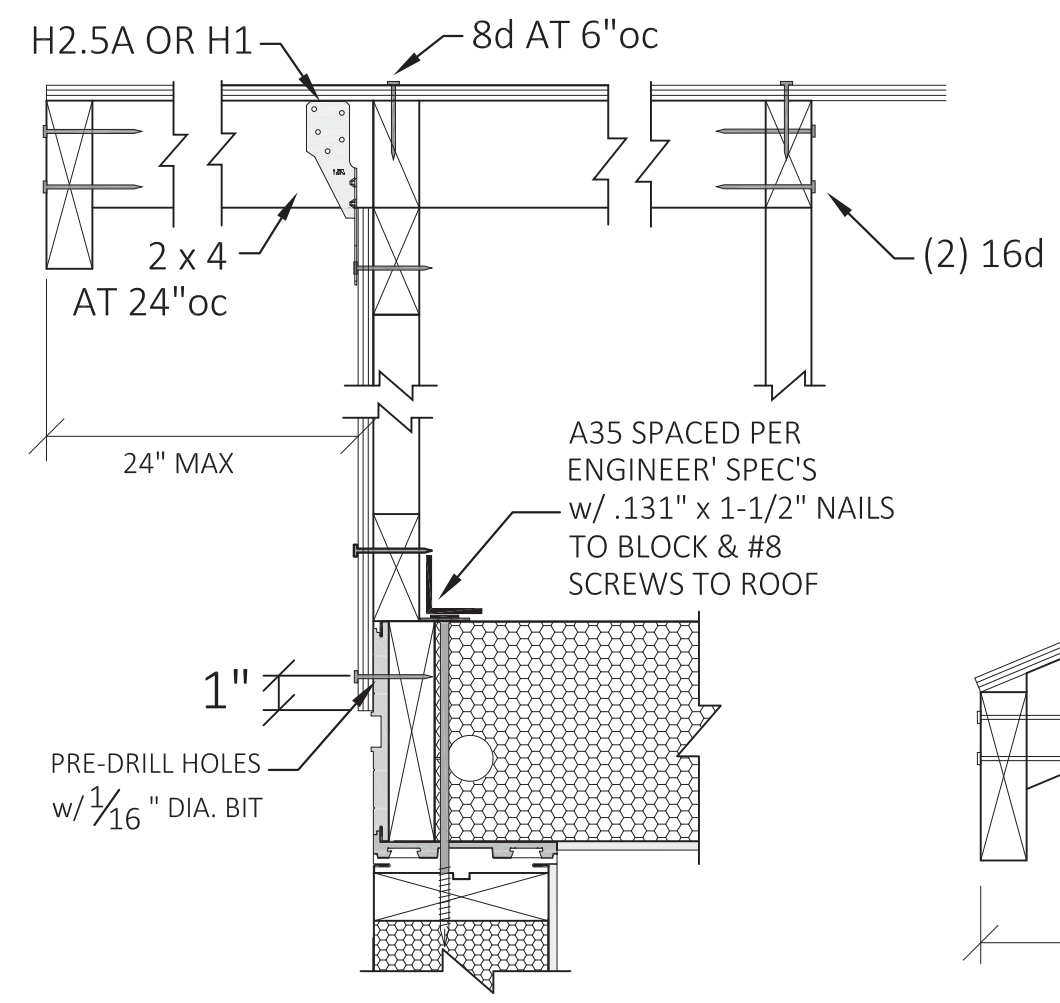
2 PRE-ENGINEERED WOOD TRUSS



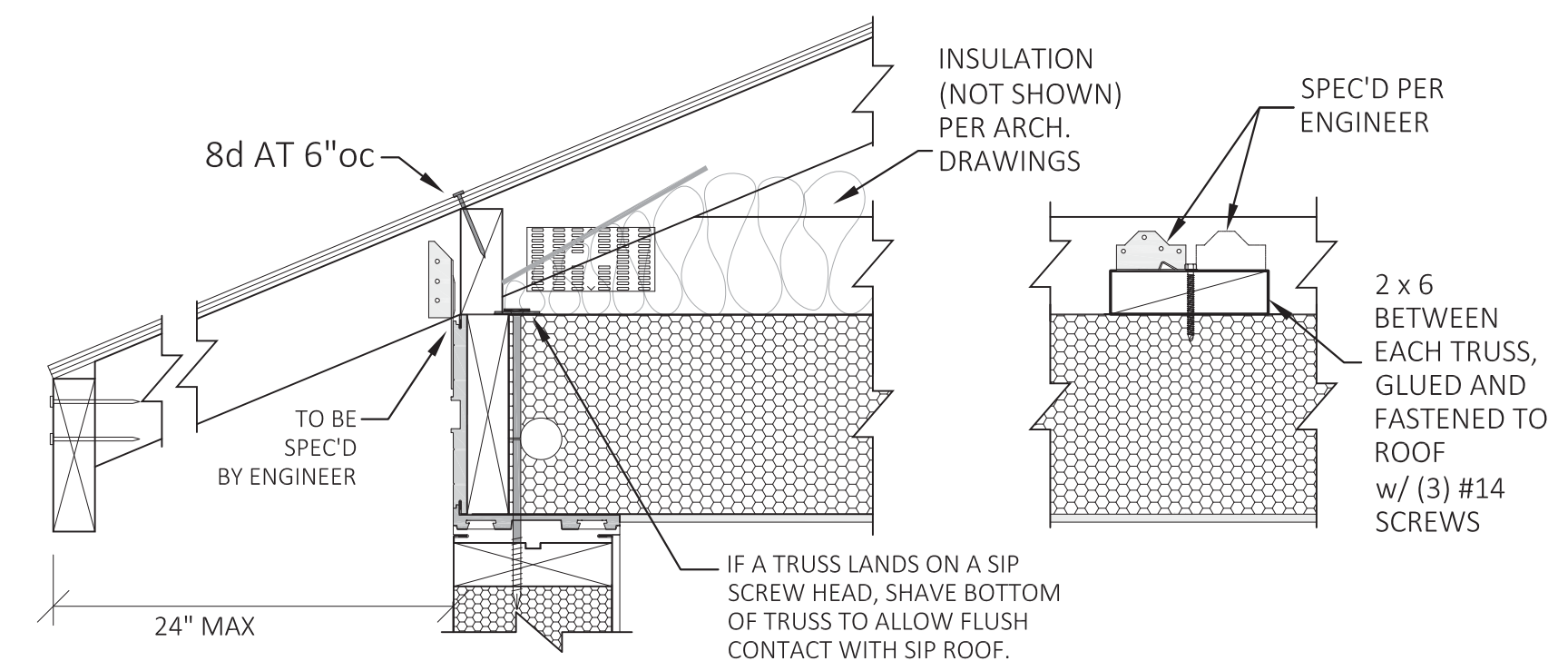
ORIENTATION #1

(NOT ALLOWED IN SEISMIC CATEGORIES D or E)

KITCHEN / BATHROOM SIDE



3 TRUSS-TO-SIP ROOF AT EAVE



4 TRUSS-TO-SIP ROOF AT EAVE

5 TRUSS BOT. CHORD BRACING AGAINST UPLIFT BUCKLING

DATE:	REV:	DESCRIPTION:

GABLE ROOF TRUSS OPTION

UNITS:	FT-IN
SHEET FORMAT:	ARCH C
SHEET SCALE:	NONE
CREATED BY:	
RELEASE DATE:	5/07/2024
SHEET:	S7

MODEL: 2 DOOR CASITA
 MODEL #: BXB-000009

BOXABL INC.
 5345 EAST NORTH BELT ROAD
 NORTH LAS VEGAS, NV 89115, USA
 +1(702) 500-9000 HELLO@BOXABL.COM

